

Stock Code: **63129LEDDL P-MSS/CLR**

Collection: Boulder

PRODUCT INFORMATION

Base: 63129 Parent: 63129LEDDL P
Mounting Type: Wall UPC: 641594230260
Finish: Mirrored Stainless Steel
Diffuser: Clear

PRODUCT MEASUREMENTS

FIXTURE	BACKPLATE / CANOPY
Length:	Length 1"
Width: 5.75"	Width: 4.25"
Diameter	Diameter:
Height: 10.5"	Height: 4.25"
Extension: 7"	
Overall Height:	

TECHNICAL SPECIFICATIONS

SPECIFICATIONS

Frame Material: Metal	
Diffuser Material: Glass	
Lamping Type: G9 (Replaceable LED)	Jbox: Standard
Lamping Base: G9	Lamp Wattage: 4.5 W
Lamp Quantity: 1	Total Wattage: 4.5 W
Voltage: 120v	Lamps Included: Yes

QUALIFICATIONS

Location Rating Damp	
Certification: UL (US/Canada) Listed	
ADA Compliant: No	Energy Star: No
JA8 Compliant: No	Emergency Lighting: No
Marine Grade: No	Warranty: 1 Year

PHOTOMETRICS

Dimmable: Yes	Nominal Lumens 450 Lm
CRI: 80	Delivered Lumens: N/A
CCT: 3000K	
Recommended Dimmers:	
(TRIAC)LUTRON Diva DVCL-153P; (ELV)LUTRON Diva DVELV-303P; (ELV)LUTRON Skylark SELV-300P; (ELV)LUTRON Diva DVELV-300P	

Additional Notes:

Custom Finish 100 Piece Minimum Order Quantity

Project Name: _____

Location: _____

Type: _____

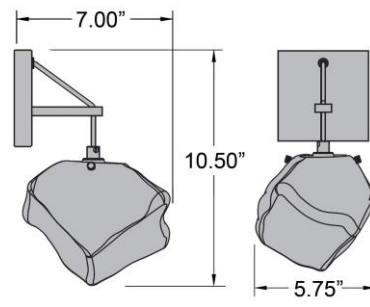
Quantity: _____

Notes: _____



LINE DRAWING

IES FILE



In addition to Access Lighting's purchase and warranty terms and conditions, by signing below or placing an order, you agree that you are authorized to bind the entity placing any order and acknowledge the following: All of sizes and measurements are approximate and all images are for illustrative purposes only. In the event of an inconsistency, the "Product Measurements" section controls. There also may be slight differences in the colors and designs compared to the displayed and printed images.

Signature: _____

Print Name _____ Date: _____

Toll Free 800-828-5483 www.AccessLighting.com

14410 Myford Road, Irvine, CA 92606

